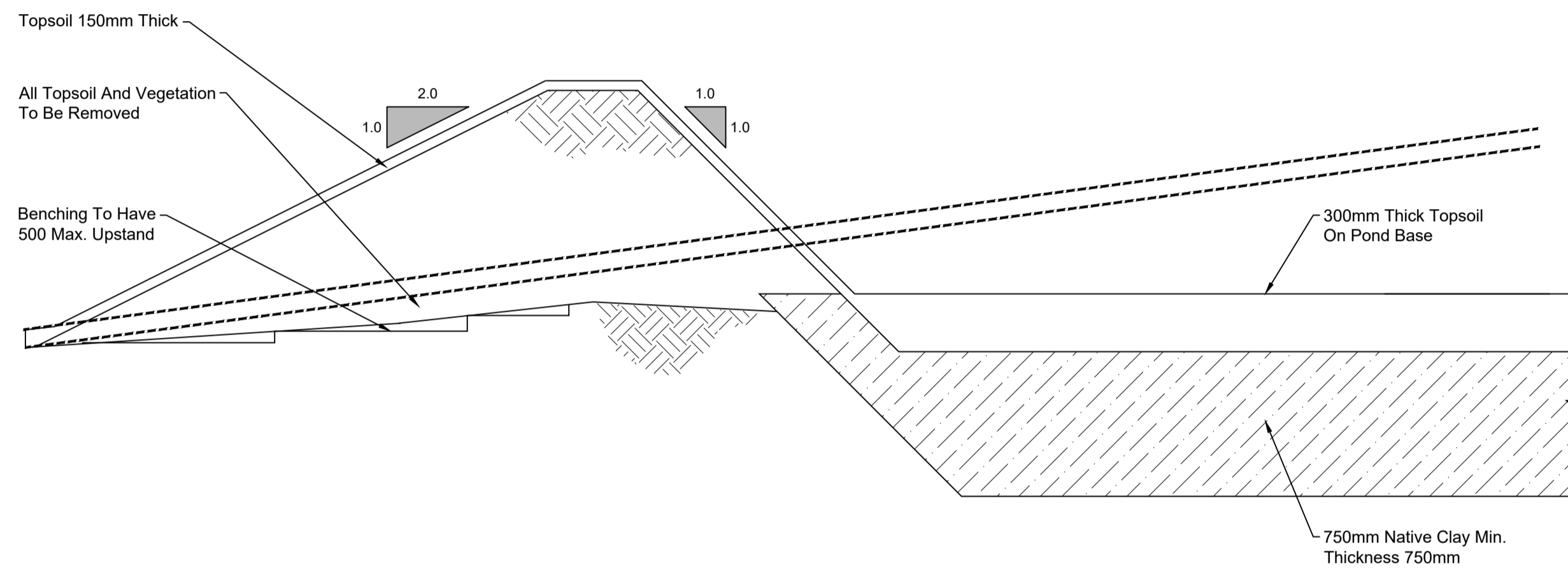


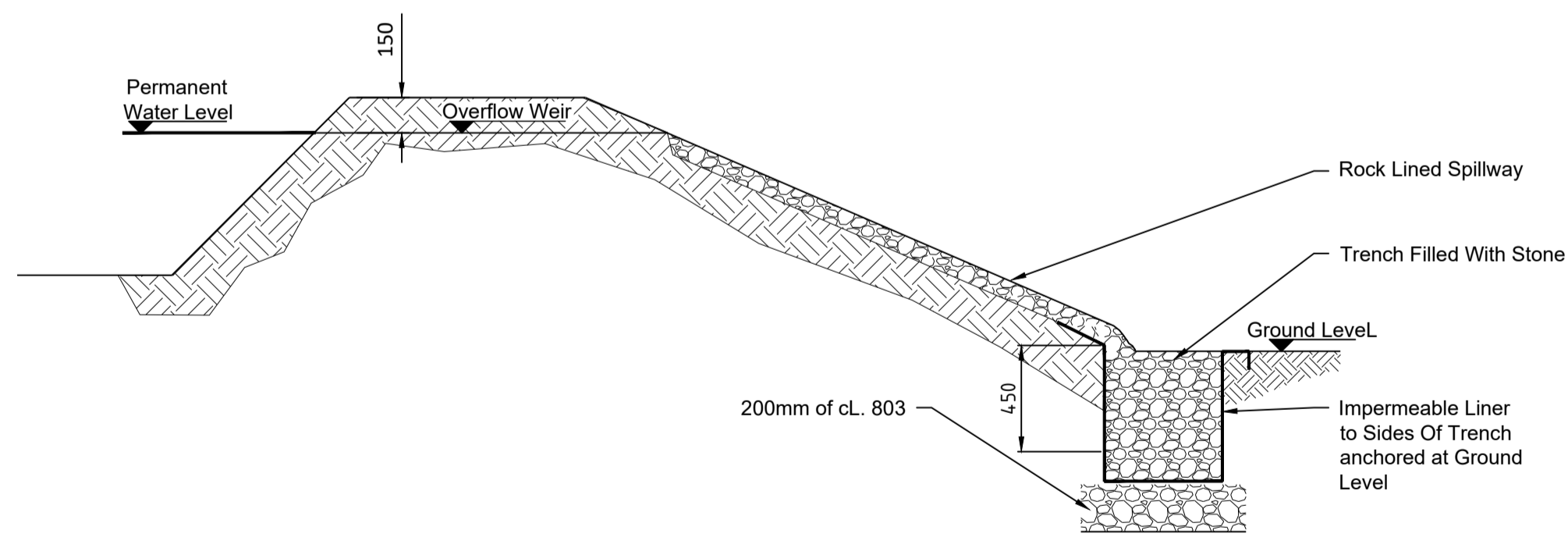
BUND CONSTRUCTION

Scale 1:25



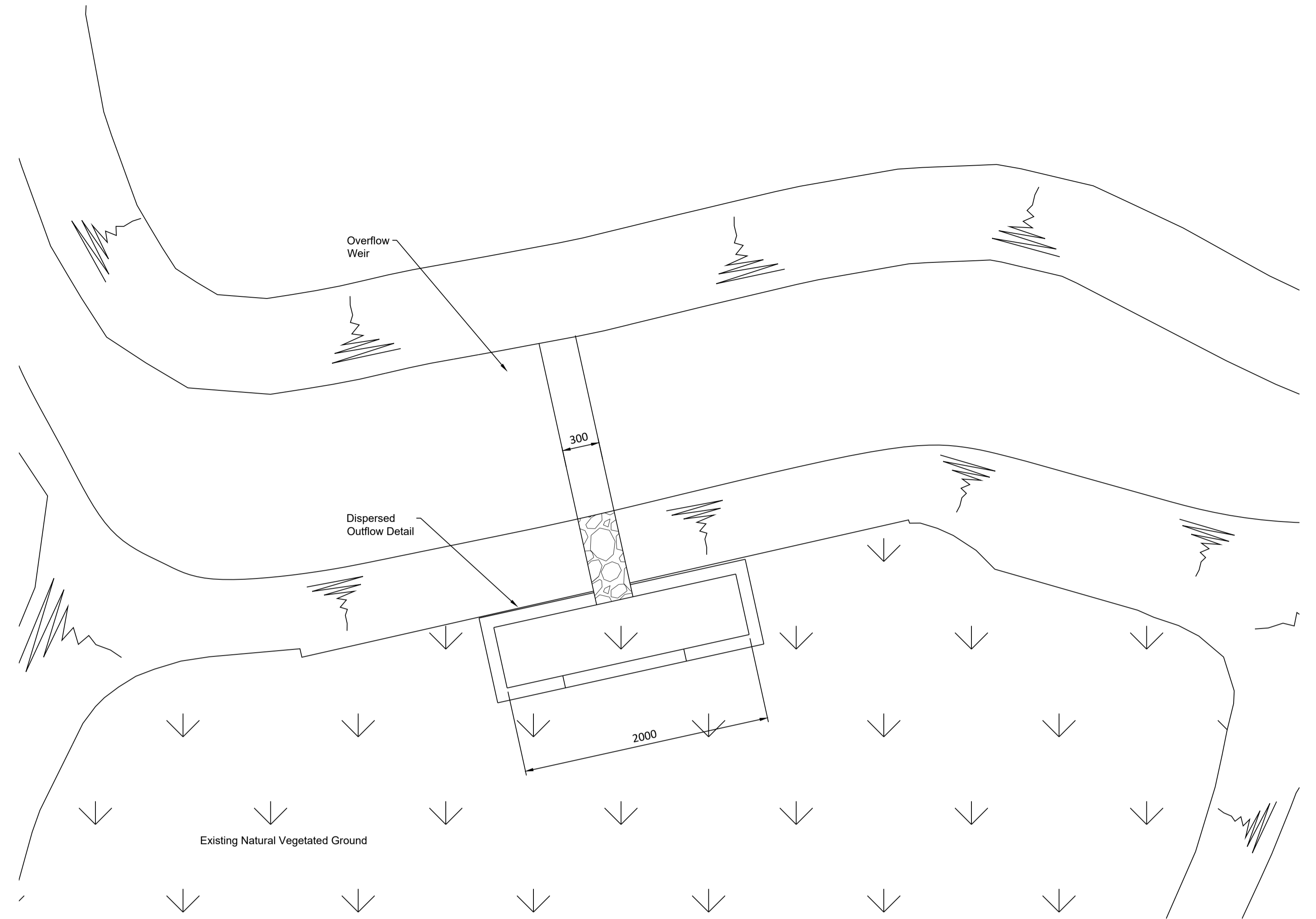
BUND CONSTRUCTION

Scale 1:25



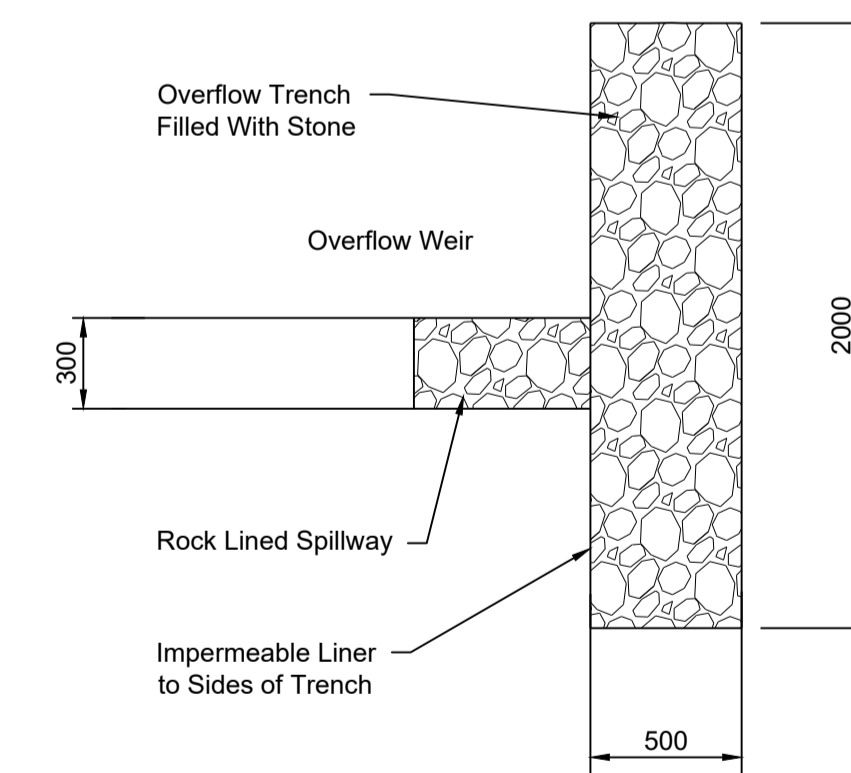
BUND CONSTRUCTION

Scale 1:25



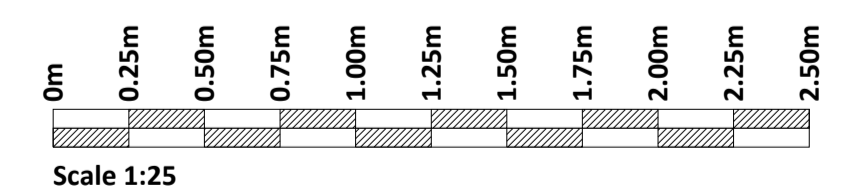
PLAN OF POND OUTFALL DETAIL

Scale 1:25



PLAN

Scale 1:25



If Applicable : Ordnance Survey Ireland Licence No. EN 0001220 © Ordnance Survey Ireland and Government of Ireland



No part of this document may be reproduced or transmitted in any form or stored in any retrieval system of any nature without the written permission of Fehily Timoney & Company as copyright holder except as agreed for use on the project for which the document was originally issued. Do not scale. Use figured dimensions only. If in doubt - Ask!

Rev.	Description	App By	Date
A	ISSUE FOR PLANNING APPLICATION	JH	11.02.20

PROJECT	CLIENT		
COOM GREEN ENERGY PARK	CROOM GREEN ENERGY PARK LIMITED		
SHEET SETTLEMENT POND DETAIL - SHEET 2 OF 2	Date	11.02.20	Project number
	Drawn by	SOC	P20-099
	Checked by	TB	Drawing Number
			P20-099-0501-0007
		Scale (@ A1-)	Rev
		1:25	A

O:\ACAD\2020\P20-099\P20-099-0501-0007

08 December 2020