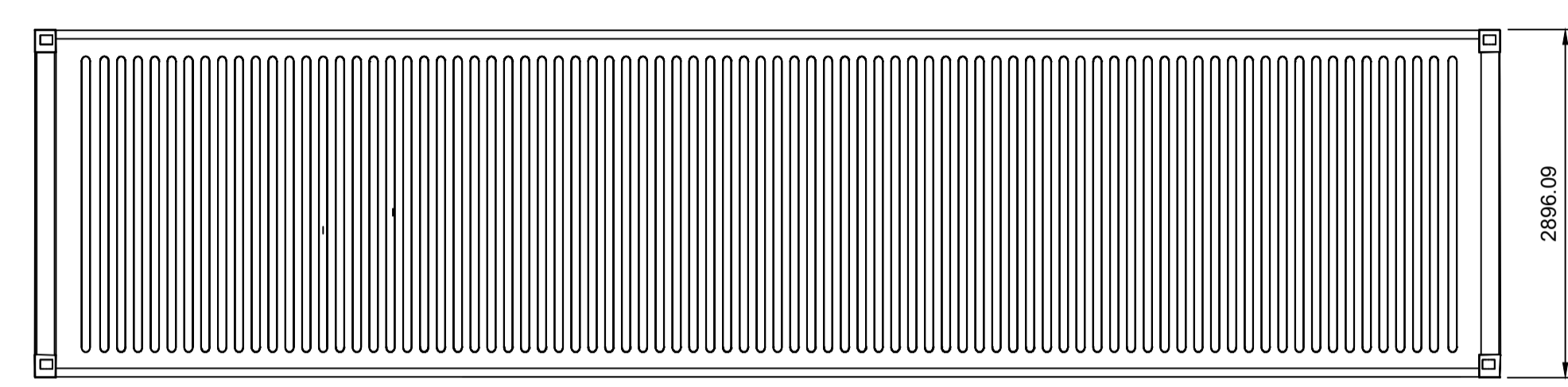
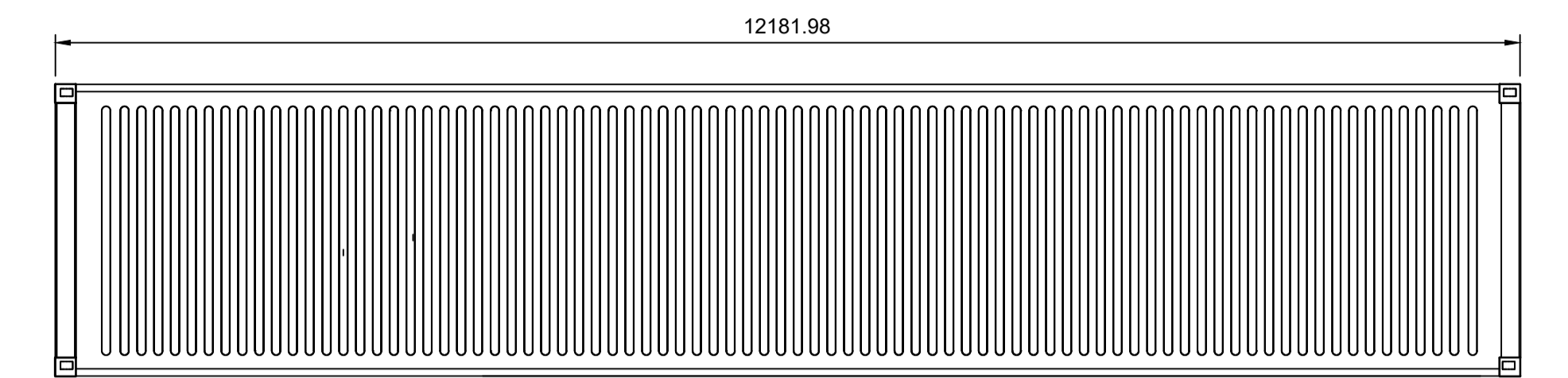
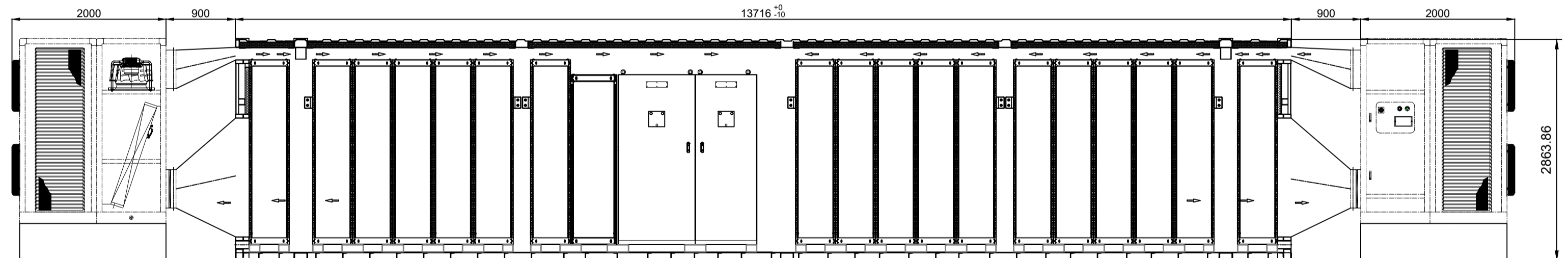
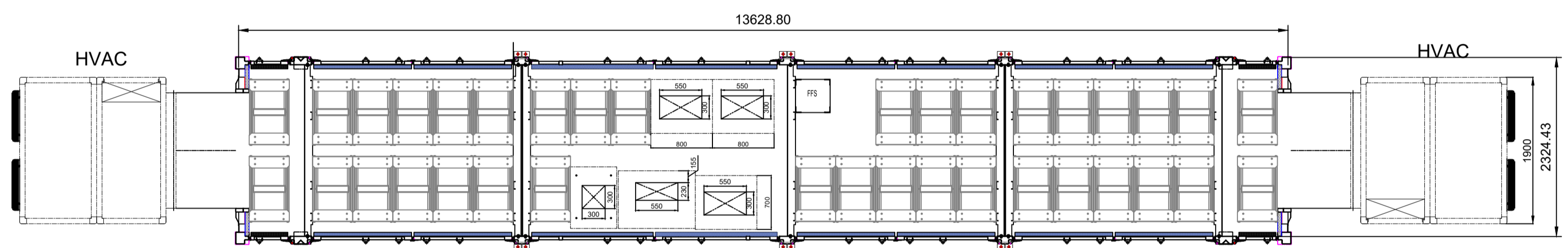


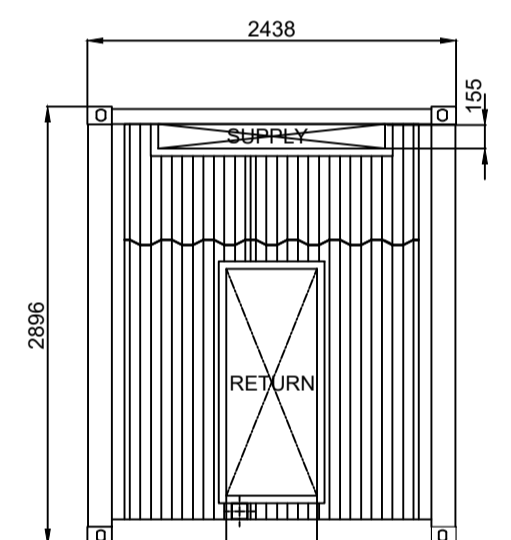
BATTERY CONTAINER
Scale 1:50



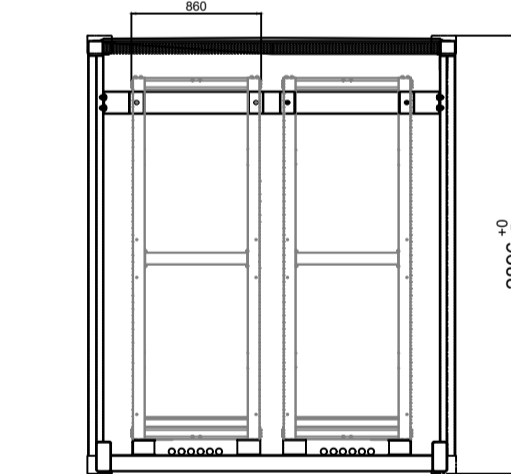
CONTROL CONTAINER
Scale 1:50



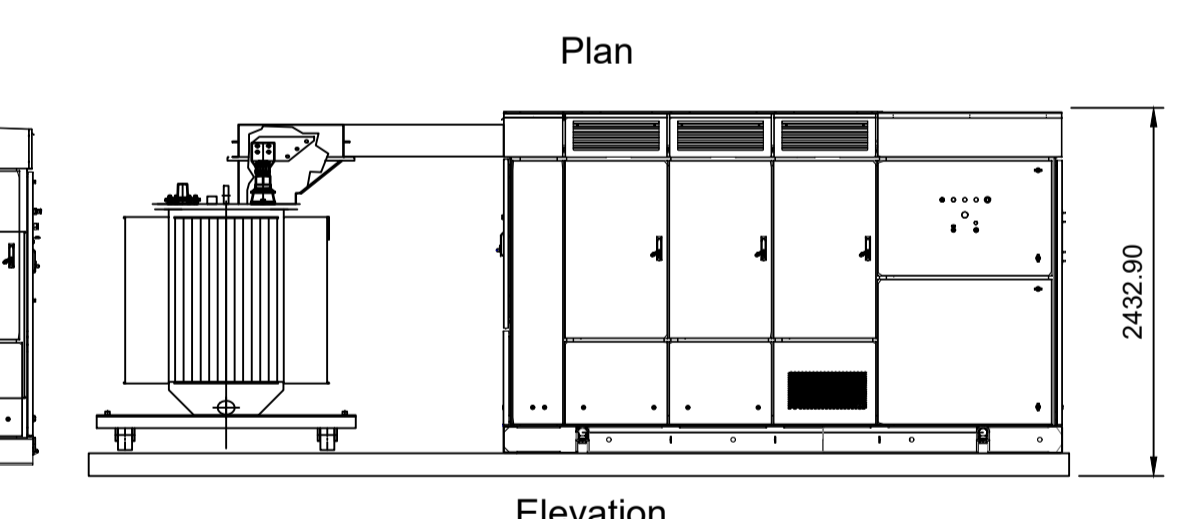
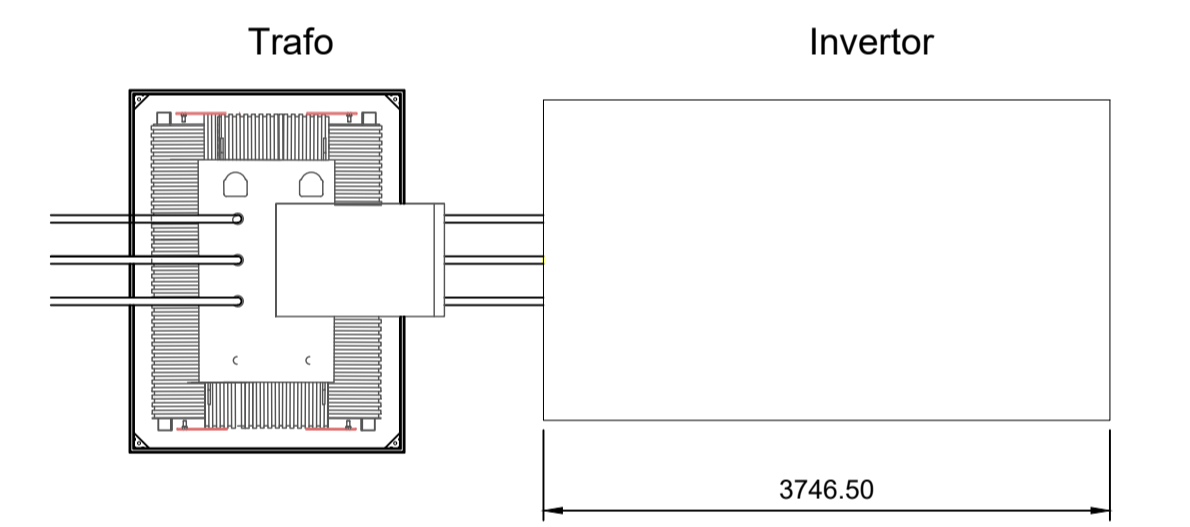
BATTERY CONTAINER - SECTION VIEWS
Scale 1:50



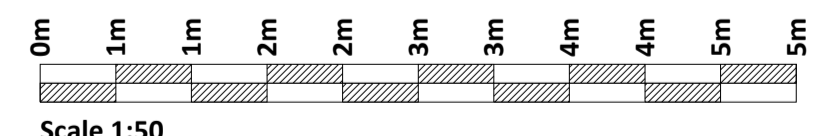
Side Elevation



SECTION E-E
Side Elevation



BATTERY INVERTOR & TRANSFORMER
Scale 1:50



If Applicable : Ordnance Survey Ireland Licence No. EN 0001220 © Ordnance Survey Ireland and Government of Ireland



No part of this document may be reproduced or transmitted in any form or stored in any retrieval system of any nature without the written permission of Fehily Timoney & Company as copyright holder except as agreed or use on the project for which the document was originally issued. Do not scale. Use figured dimensions only. If in doubt - Ask!

Rev.	Description	App By	Date
A	ISSUE FOR COMMENT	JH	27.09.19

PROJECT	COOM GREEN ENERGY PARK			CLIENT	CROOM GREEN ENERGY PARK LIMITED		
SHEET	BATTERY ENERGY STORAGE SYSTEM DETAILS			Date	27.09.19	Project number	P20-099
				Scale (@ A1-)	1:50		
				Drawn by	SOC	Drawing Number	P20-099-0300-0007
				Checked by	TB		Rev
							A

O:\ACAD\2020\P20-099\P20-099-0300-0007

08 December 2020