

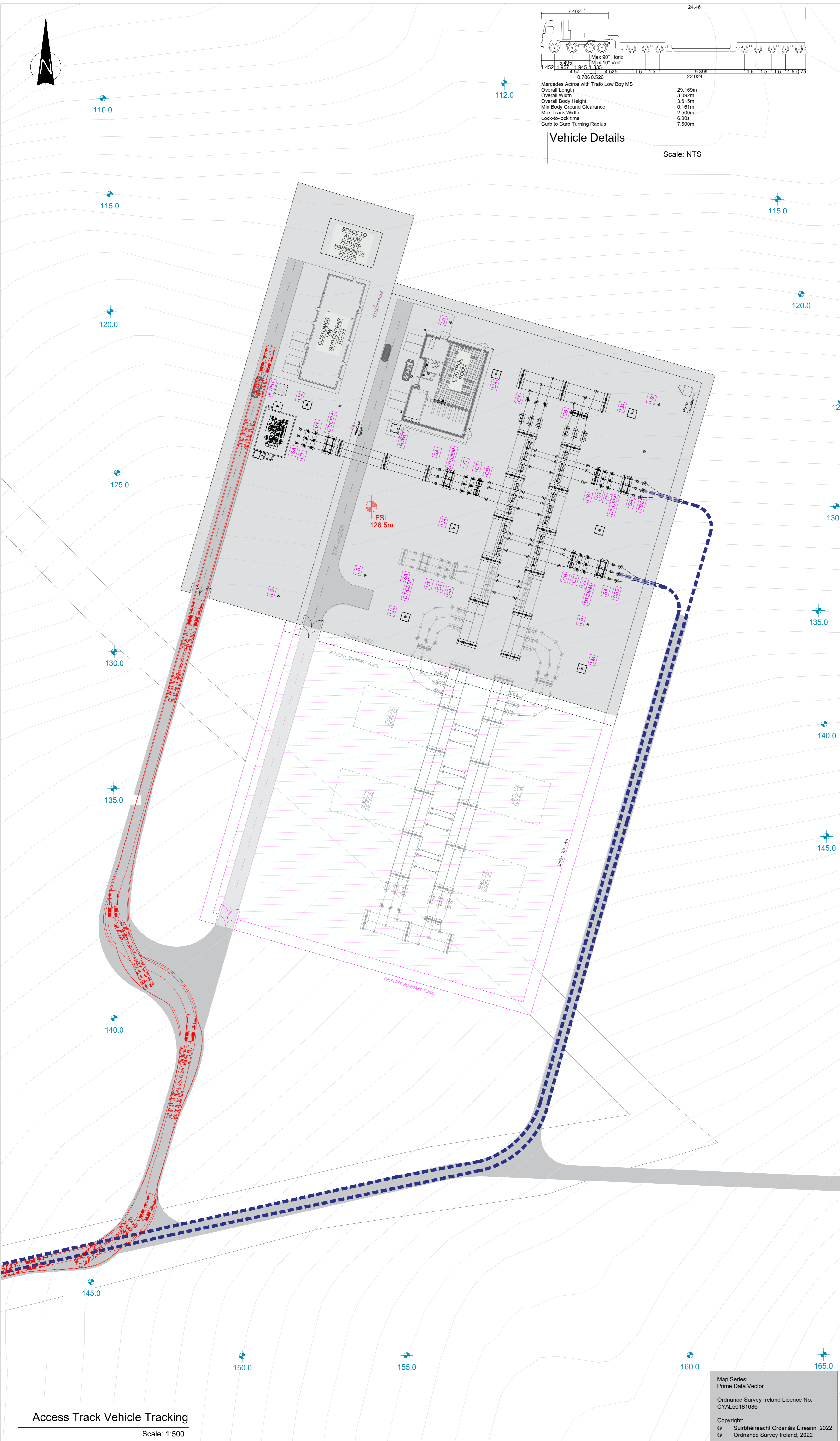
Mercedes Actros with Trafo Low Boy MS  
 Overall Length 29.169m  
 Overall Width 3.092m  
 Overall Body Height 3.615m  
 Min Body Ground Clearance 0.161m  
 Max Track Width 2.500m  
 Lock-to-lock time 6.00s  
 Curb to Curb Turning Radius 7.500m

Vehicle Details

Scale: NTS

LEGEND: -

- Proposed Levels shown thus
- Clogherchor UGC Loop In Circuits Ardnagappary to Tievebrack shown thus
- Permanent Internal Access tracks shown thus
- Clogherchor Substation shown thus
- Clogherchor Substation Future buildable space shown thus
- Vehicle tracking shown thus



NOTES: -

See Vehicle details for Mercedes Actros with Trafo Low Boy

Head Office: Beenreigh, Abbeydorney, Tralee, Co. Kerry, Ireland. Tel: 00353 66 7135710

Regional Office: Basepoint Business Centre, Stroudley Road, Basingstoke, Hampshire, RG24 8UP, UK. Tel: 00 44 1256406664

PROJECT  
**Clogherchor Wind Farm 110kV Grid Connection**

CLIENT

CONSULTANTS

ISSUE/REVISION

NO	DATE	DESCRIPTION
P00	11.01.23	Issued for Information
IR	DATE	DESCRIPTION

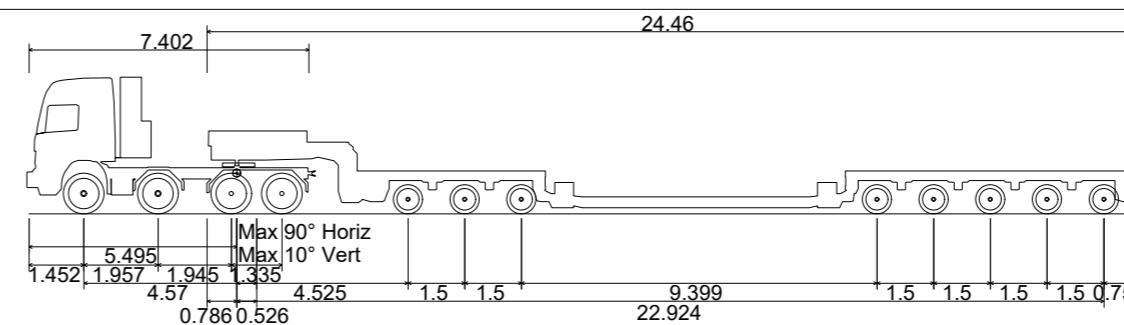
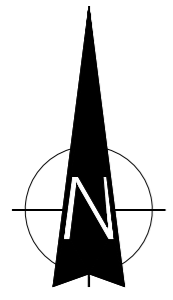
PROJECT NUMBER  
**05-725**

SHEET TITLE  
**Substation Layout Plan with Vehicle Tracking**

SHEET NUMBER  
**05725-DR-136**

Access Track Vehicle Tracking  
 Scale: 1:500

Map Series: Prime Data Vector  
 Ordnance Survey Ireland Licence No. CYAL50181686  
 Copyright: © Suirbhéireacht Ordnáis Éireann, 2022 © Ordnance Survey Ireland, 2022



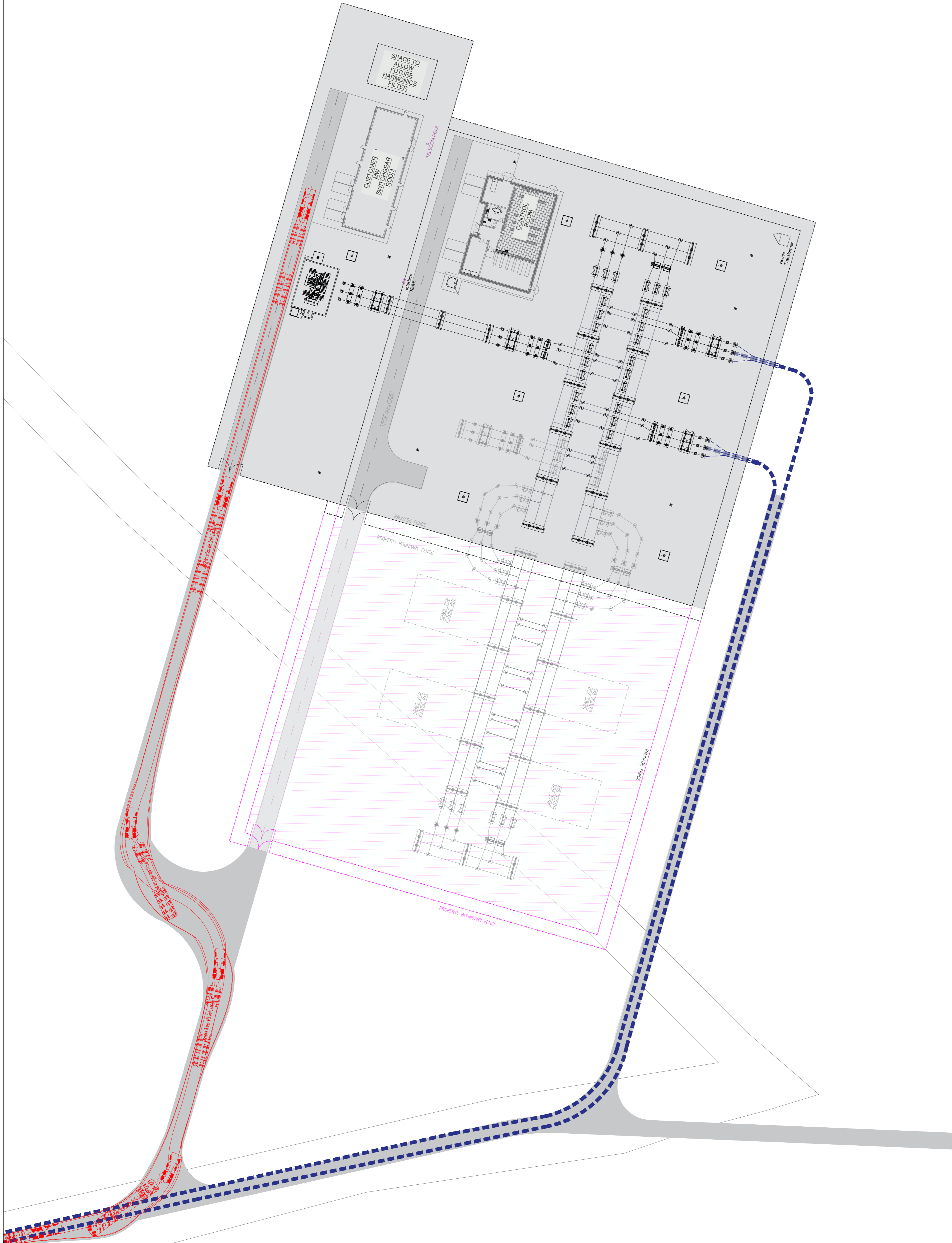
Mercedes Actros with Trafo Low Boy MS  
 Overall Length 29.169m  
 Overall Width 3.092m  
 Overall Body Height 3.615m  
 Min Body Ground Clearance 0.161m  
 Max Track Width 2.500m  
 Lock-to-lock time 6.00s  
 Curb to Curb Turning Radius 7.500m

Vehicle Details

Scale: NTS

LEGEND: -

- Proposed Levels shown thus
- Clogherchor UGC Loop In Circuits Ardtaggappary to Tievebrack shown thus
- Permanent Internal Access tracks shown thus
- Clogherchor Substation shown thus
- Clogherchor Substation Future buildable space shown thus
- Vehicle tracking shown thus



NOTES: -

See Vehicle details for Mercedes Actros with Trafo Low Boy



Head Office: Beenreigh, Abbeydorney, Tralee, Co. Kerry, Ireland. Tel: 00353 66 7135710  
 Regional Office: Basepoint Business Centre, Stroudley Road, Basingstoke, Hampshire, RG24 8UP, UK. Tel: 00 44 1256406664

PROJECT

Clogherchor Wind Farm  
 110kV Grid Connection

CLIENT



CONSULTANTS



ISSUE/REVISION

IR	DATE	DESCRIPTION
P00	11.01.23	Issued for Information

PROJECT NUMBER

05-725

SHEET TITLE

Substation Layout Plan  
 with Vehicle Tracking

SHEET NUMBER

05725-DR-136

Access Track Vehicle Tracking

Scale: 1:500

Map Series:  
 Prime Data Vector  
 Ordnance Survey Ireland Licence No.  
 CYAL50181686  
 Copyright:  
 © Suirbhéireacht Ordnáis Éireann, 2022  
 © Ordnance Survey Ireland, 2022