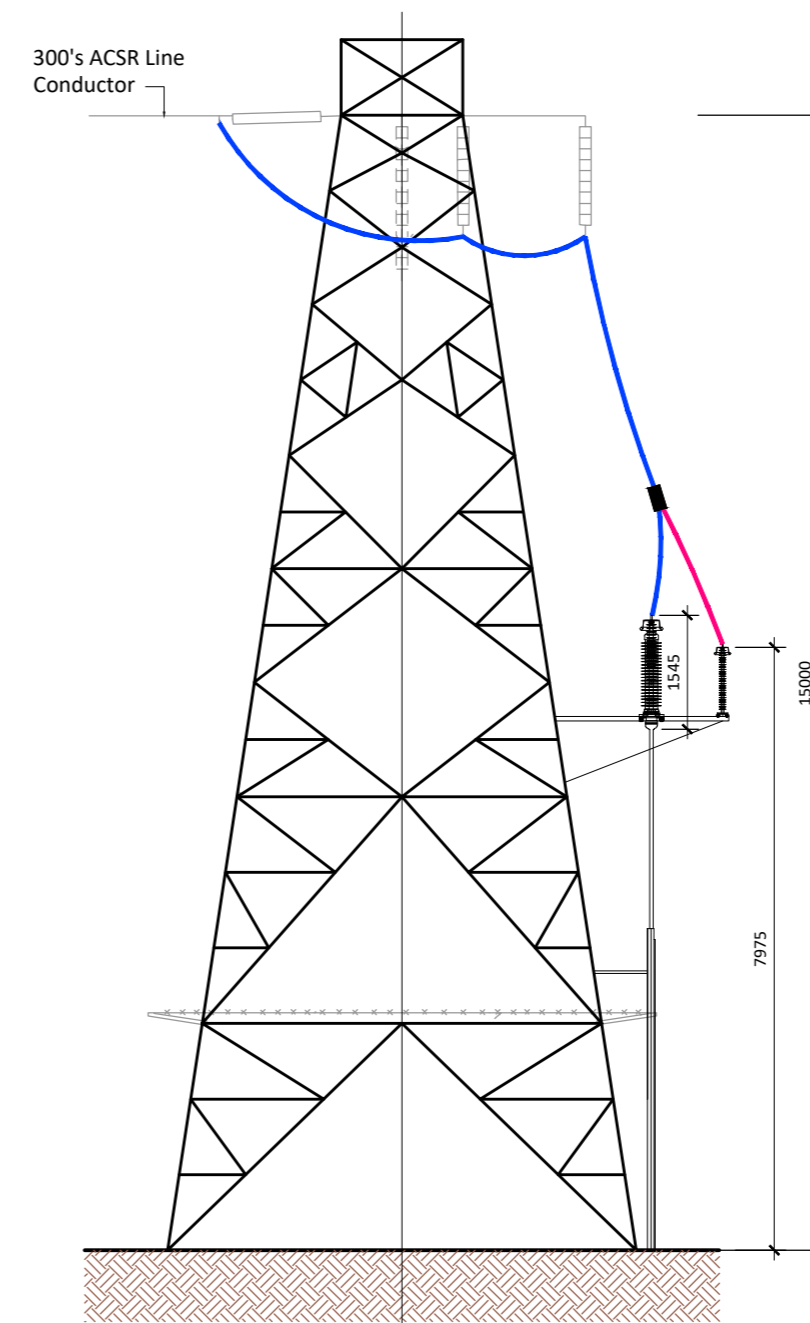
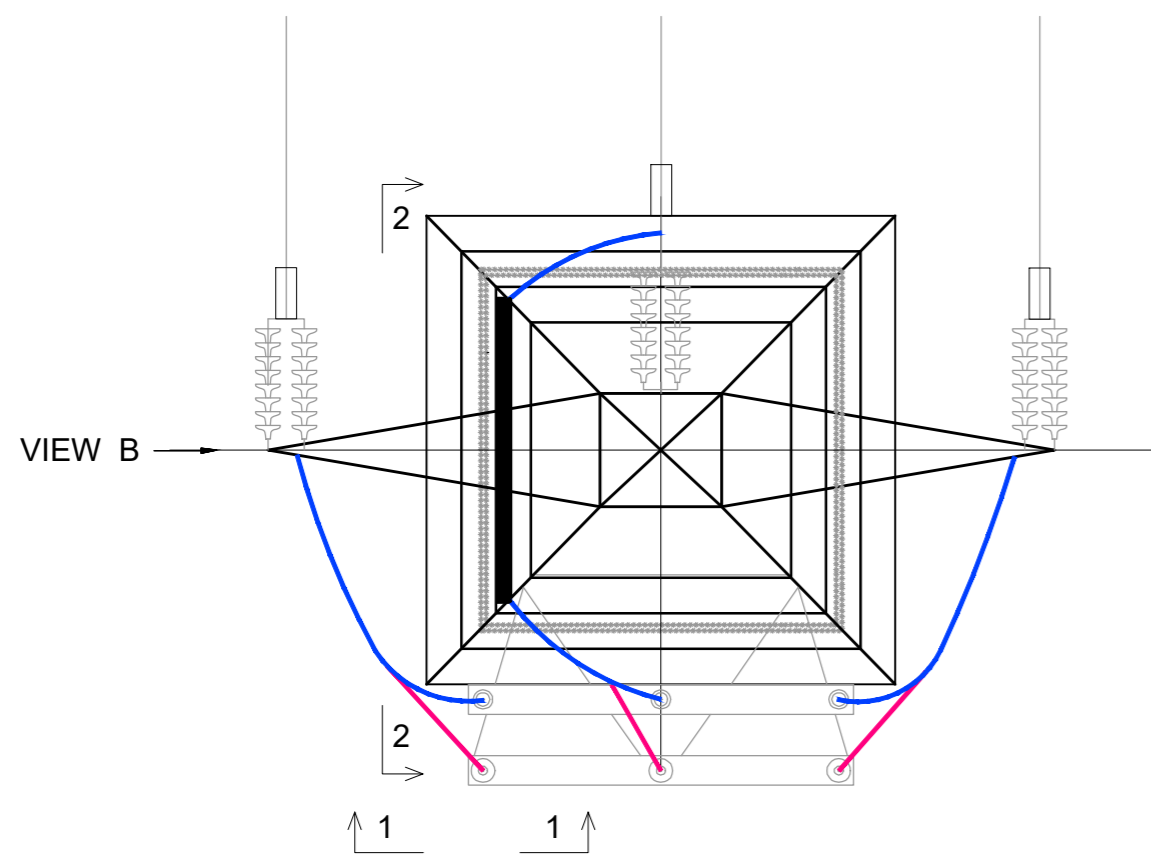


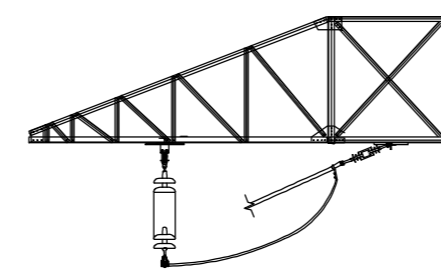
FRONT ELEVATION
(Rear Platform Removed for Clarity)



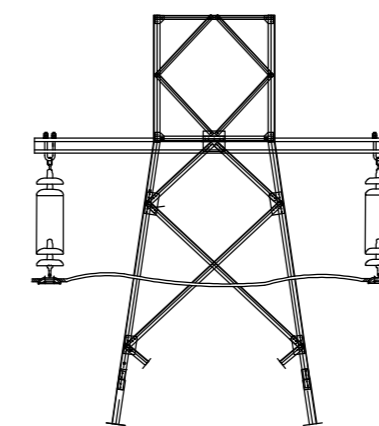
SIDE ELEVATION



PLAN VIEW



SECTION 1-1



SECTION 2-2

PROJECT

**Clogherchor
Wind Farm 110kV
Grid Connection**

CLIENT

Futuraenergy Ireland

Orsted

CONSULTANTS

TOBIN
CONSULTING ENGINEERS

NOTES: -

LEGEND: -

ISSUE/REVISION

I/R	DATE	DESCRIPTION
P01	11.01.23	Issued for Information
P00	30.09.22	Issued for Information

PROJECT NUMBER

05-725

SHEET TITLE

1493ET/LC excl.
SW End Mast Details

SHEET NUMBER

05725-DR-107